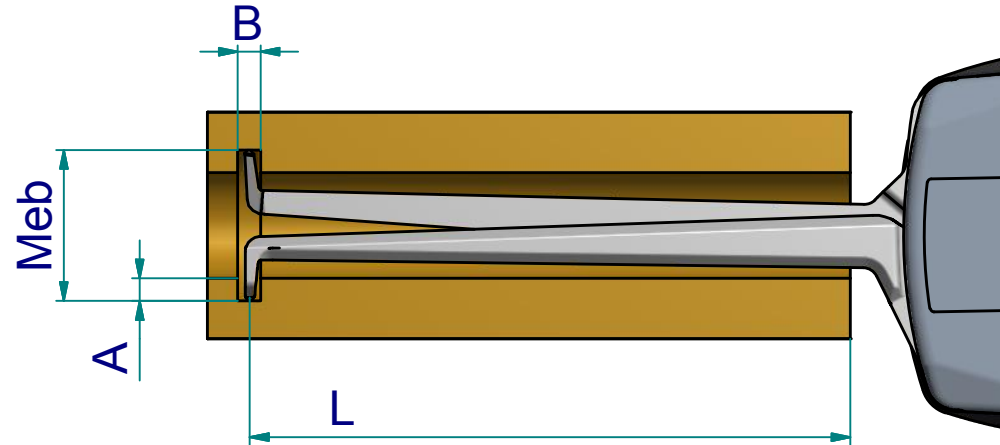


subject to technical alterations

type: **G**  
range: **10 - 30 mm**  
range of indication: **9,5 - 30,5 mm**  
digital step: **0,01 mm**  
scale interval: **-**  
measuring force: **1,1 - 1,6 N**  
weight: **250 g**

acceptable deviations  
VDI/VDE/DGQ 2618 Bl. 12.1/13.1)  
max. permissible errors "G": **0,03 mm**  
repeatability "r": **0,01 mm**  
reference temperature: **20° C**  
operation temperature: **10° C - 30° C**  
storage temperature: **-10° C - 50° C**

scale: **1:1**  
drawing-nr.: **DAB-G210\_KR\_e**  
date of issue: **08.01.09**  
name: **M. Balzer**  
revision status:  
revision date:



measuring capacity

groove depth A [mm]	measuring range Meb [mm]								
	10	12	14	16	18	20	22	25	30
0	0 / 82,7	0 / 83,5	0 / 83,5	0 / 83,7	0 / 83,9	0 / 84,2	0 / 84,5	0 / 85,0	0 / 85,9
1		1,7 / 82,0	1,5 / 83,1	1,5 / 83,2	1,5 / 83,4	1,5 / 83,7	1,5 / 84,0	1,5 / 84,5	1,5 / 85,4
2			1,9 / 81,7	1,8 / 81,8	1,7 / 82,1	1,7 / 82,3	1,6 / 82,6	1,6 / 84,0	1,6 / 84,8
3				2,0 / 76,4	1,9 / 82,1	1,8 / 82,7	1,8 / 83,0	1,7 / 83,4	1,7 / 84,3
4					2,3 / 52,1	2,0 / 70,8	1,9 / 82,0	1,8 / 82,9	1,8 / 83,8
4,5						2,6 / 42,6	2,2 / 71,0	2,0 / 82,7	1,9 / 83,5
5						4,0 / 14,3	3,3 / 23,9	2,9 / 82,1	2,3 / 83,2
	<b>B / L</b>								

subject to technical alterations

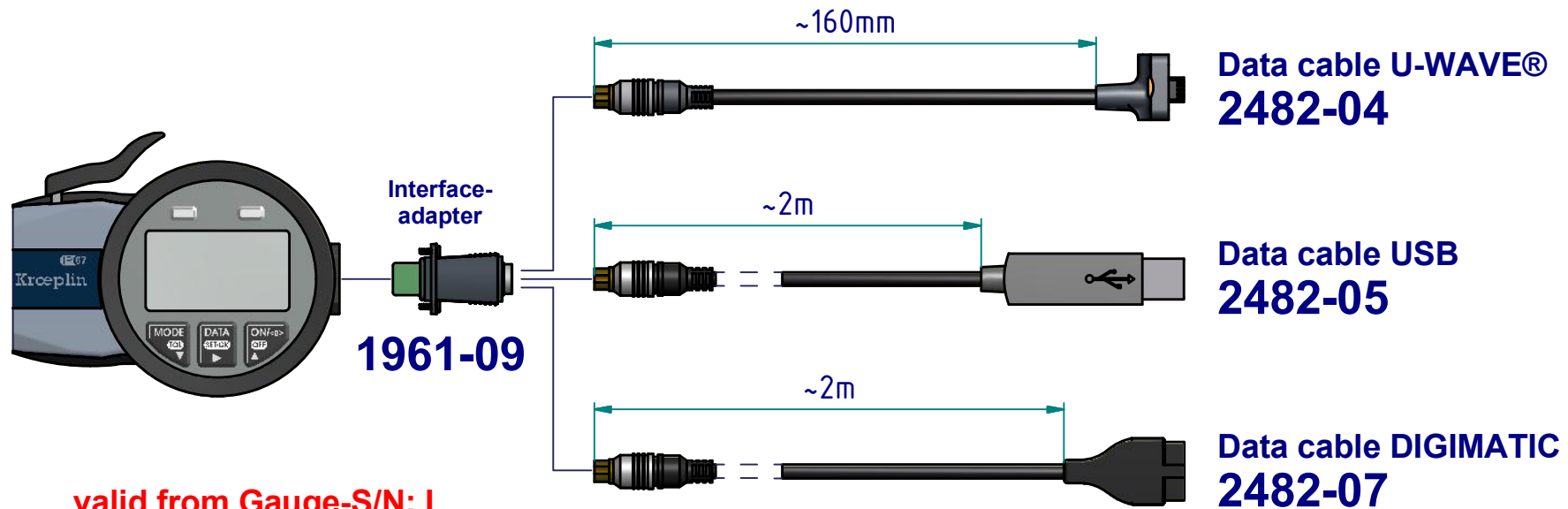
**B = minimum groove width [mm]**  
**L = maximum usable arm length [mm]**

Example: Meb = 16      B = 1,8  
                  A = 2        L = 81,8

drawing-nr.: DAB-G210\_KR\_e  
date of issue: 08.01.09  
name: M. Balzer

revision status:  
revision date:

interface as accessories available:



**valid from Gauge-S/N: I**  
**Always specify serial number**  
**when ordering Interfaces or accessories!**

subject to technical alterations

drawing-nr.:	DAB-G210_KR_e
date of issue:	08.01.09
name:	M. Balzer
revision status:	2043
revision date:	24.02.12